

# JVC

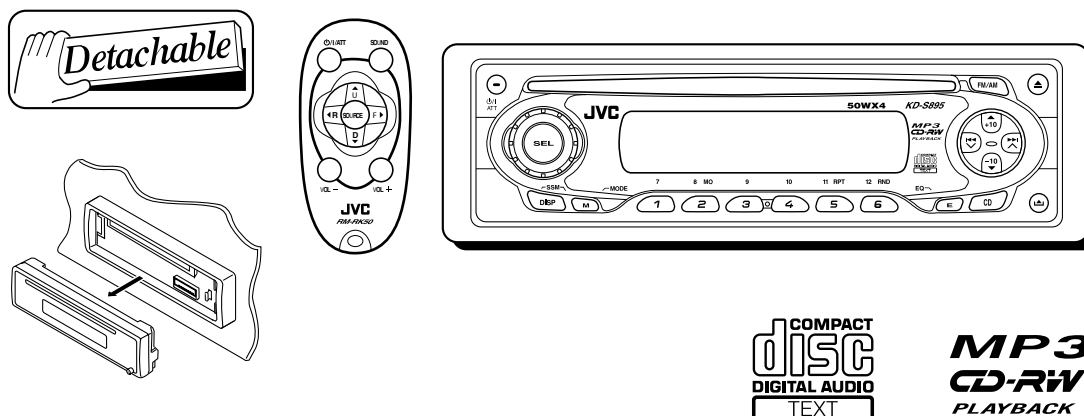
# SCHEMATIC DIAGRAMS

## CD RECEIVER

# KD-S895

CD-ROM No.SML200303


**Area suffix**  
U ----- Other Areas




### Contents

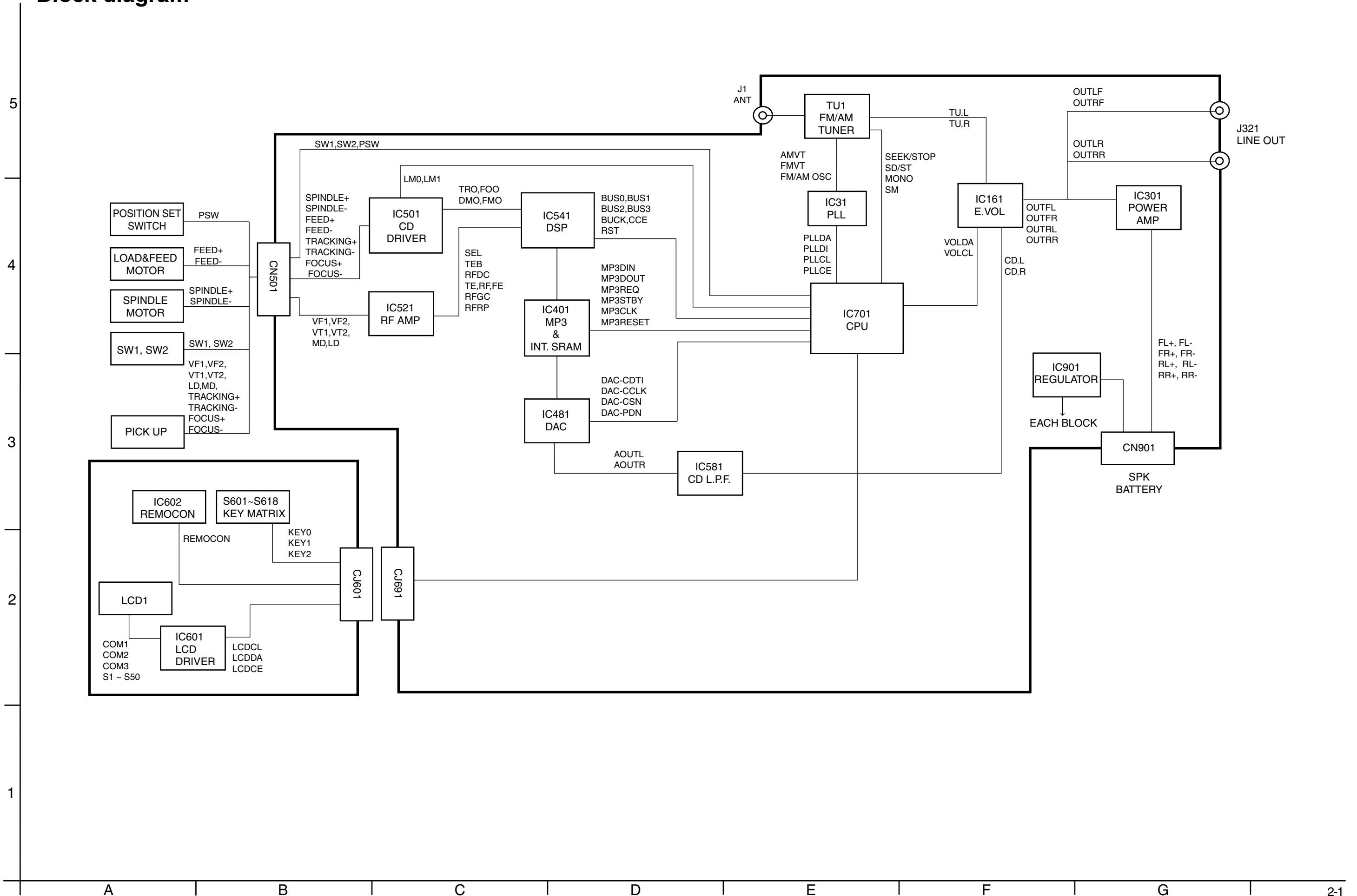
Block diagram .....	2-1
Standard schematic diagrams .....	2-2
Printed circuit boards .....	2-5~7

## Safety precaution

 **CAUTION** Burrs formed during molding may be left over on some parts of the chassis. Therefore, pay attention to such burrs in the case of performing repair of this system.

 **CAUTION** Please use enough caution not to see the beam directly or touch it in case of an adjustment or operation check.

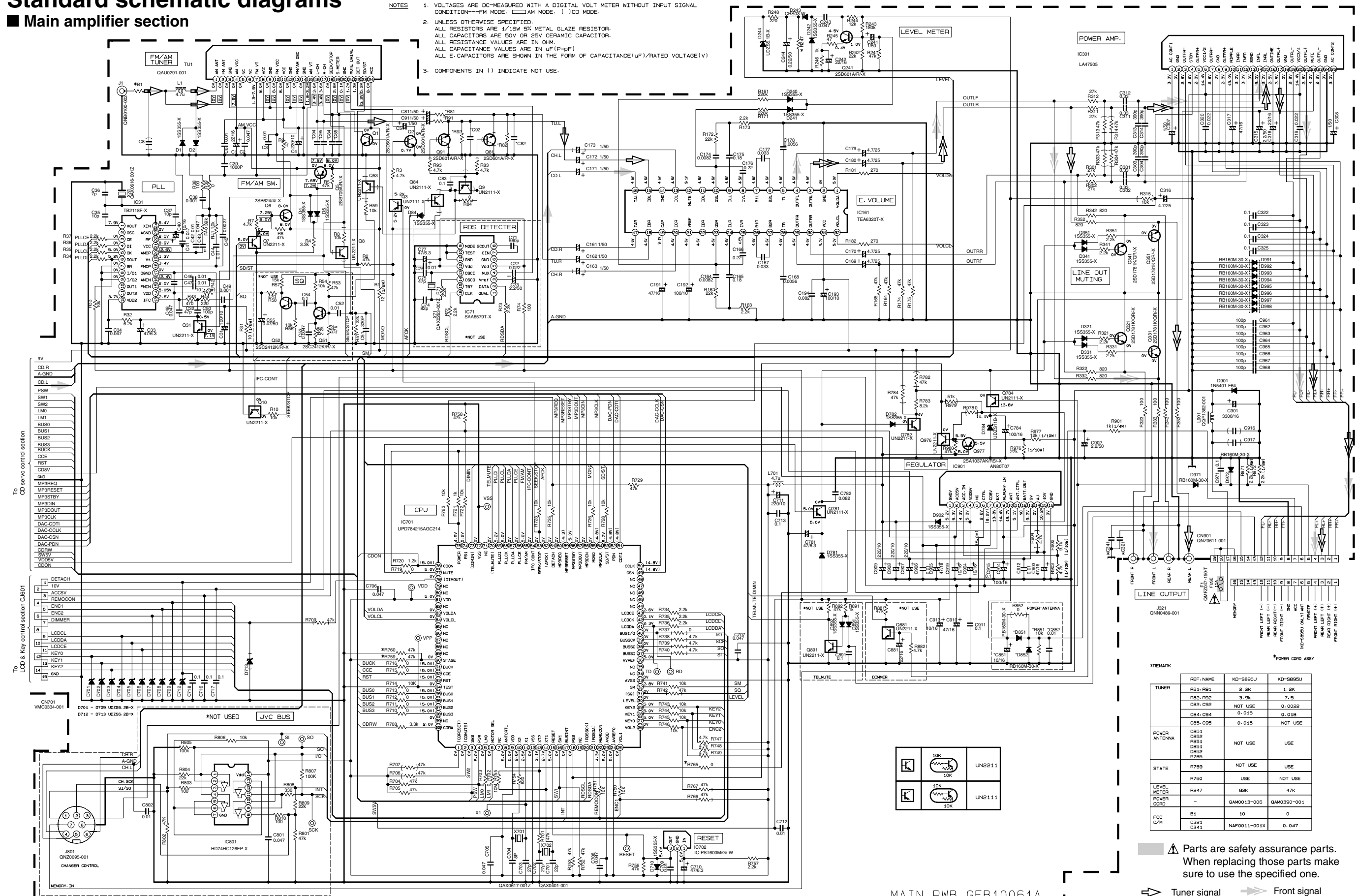
# Block diagram



# Standard schematic diagrams

## Main amplifier section

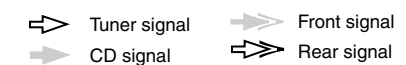
- NOTES
1. VOLTAGES ARE DC-MEASURED WITH A DIGITAL VOLT METER WITHOUT INPUT SIGNAL CONDITION—FM MODE. □ AM MODE. ( ) CD MODE.
  2. UNLESS OTHERWISE SPECIFIED, ALL RESISTORS ARE 1/16W 5% METAL GLAZE RESISTOR. ALL CAPACITORS ARE 50V OR 25V CERAMIC CAPACITOR. ALL RESISTANCE VALUES ARE IN OHM. ALL CAPACITANCE VALUES ARE IN uF (#pF) ALL E-CAPACITORS ARE SHOWN IN THE FORM OF CAPACITANCE(uF)/RATED VOLTAGE(V)
  3. COMPONENTS IN ( ) INDICATE NOT USE.



REMARK

REF. NAME	KD-S890J	KD-S895J
TUNER		
RB1, RB1	2.2k	1.2k
RB2, RB2	3.9k	7.5
CB4, CB4	NOT USE	0.022
CB5, CB5	0.015	0.018
POWER ANTENNA		
CB5, CB5	NOT USE	USE
RB5, RB5		
DB5, DB5		
R765, R765		
STATE		
R759	NOT USE	USE
R760	USE	NOT USE
LEVEL METER		
R247	82k	47k
POWER CORD		
	GAM0013-00B	GAM0390-001
FCC C/M		
B1	10	0
C341	NAF0011-001X	0.047

Parts are safety assurance parts. When replacing those parts make sure to use the specified one.



MAIN PWB GEB10061A

5  
4  
3  
2  
1

A B C 2-2 D E F G H

CD servo control section

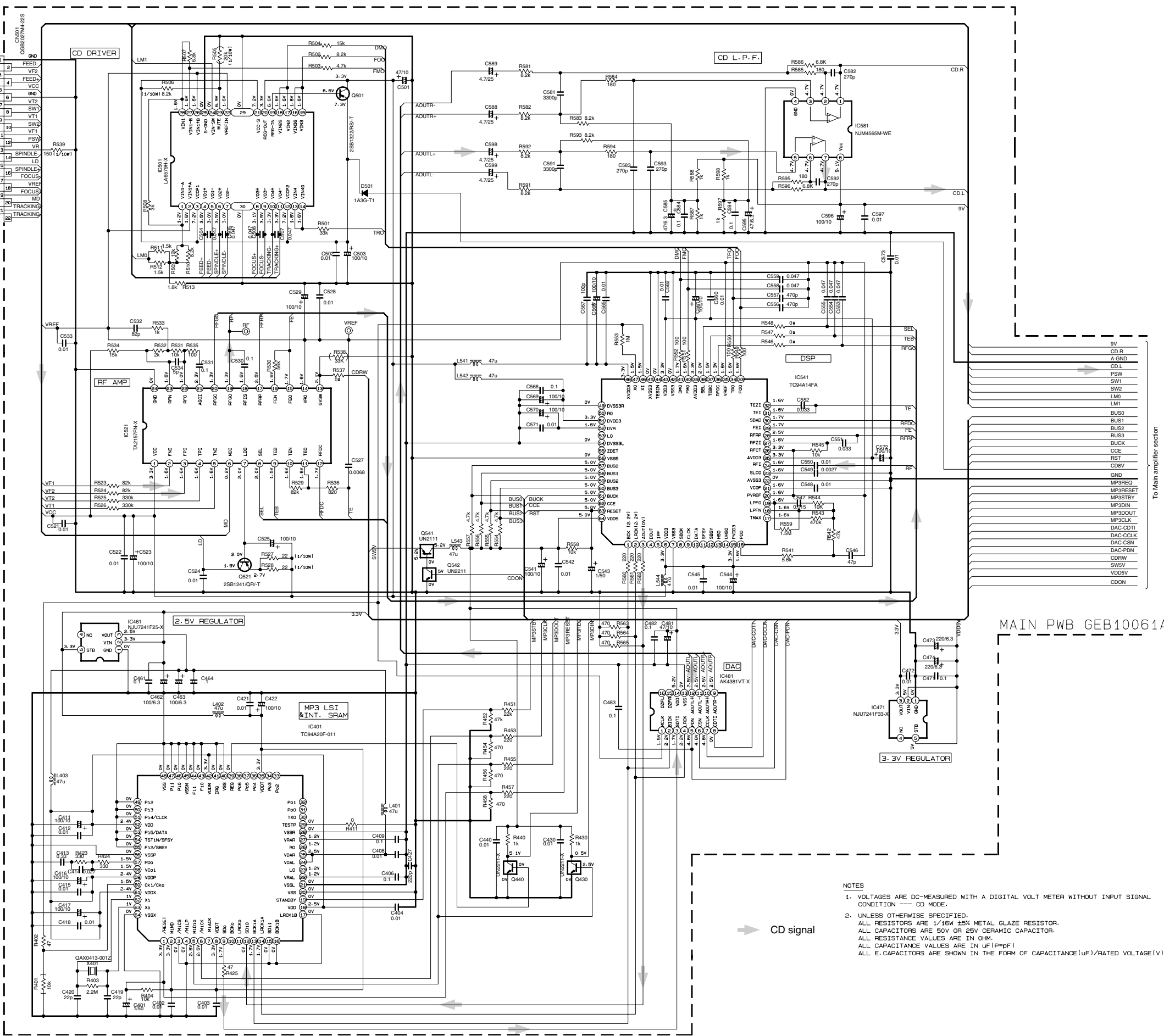
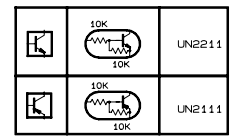
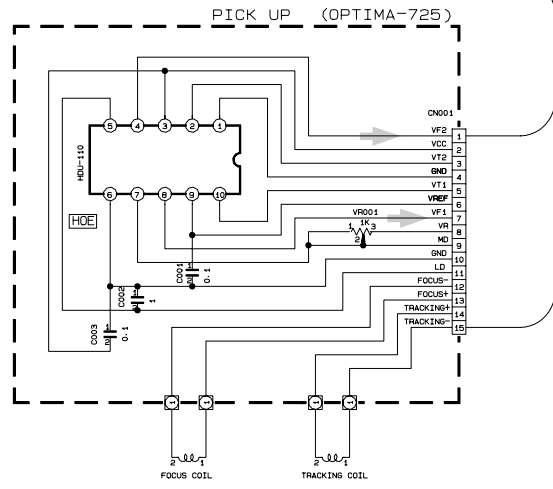
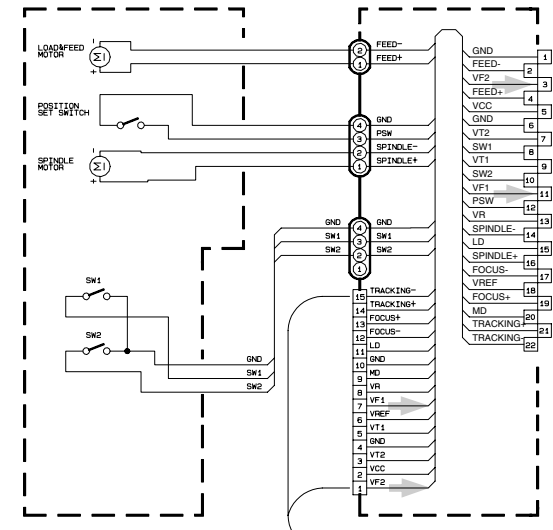
5

4

3

2

1



MAIN PWB GEB10061A

- NOTES
1. VOLTAGES ARE DC-MEASURED WITH A DIGITAL VOLT METER WITHOUT INPUT SIGNAL CONDITION --- CD MODE.
  2. UNLESS OTHERWISE SPECIFIED, ALL RESISTORS ARE 1/16W ±5% METAL GLAZE RESISTOR. ALL CAPACITORS ARE 50V OR 25V CERAMIC CAPACITOR. ALL RESISTANCE VALUES ARE IN OHM. ALL CAPACITANCE VALUES ARE IN UF(PpF). ALL E. CAPACITORS ARE SHOWN IN THE FORM OF CAPACITANCE(UF)/RATED VOLTAGE(V)

A

B

C

D

E

F

G

■ LCD & Key control section

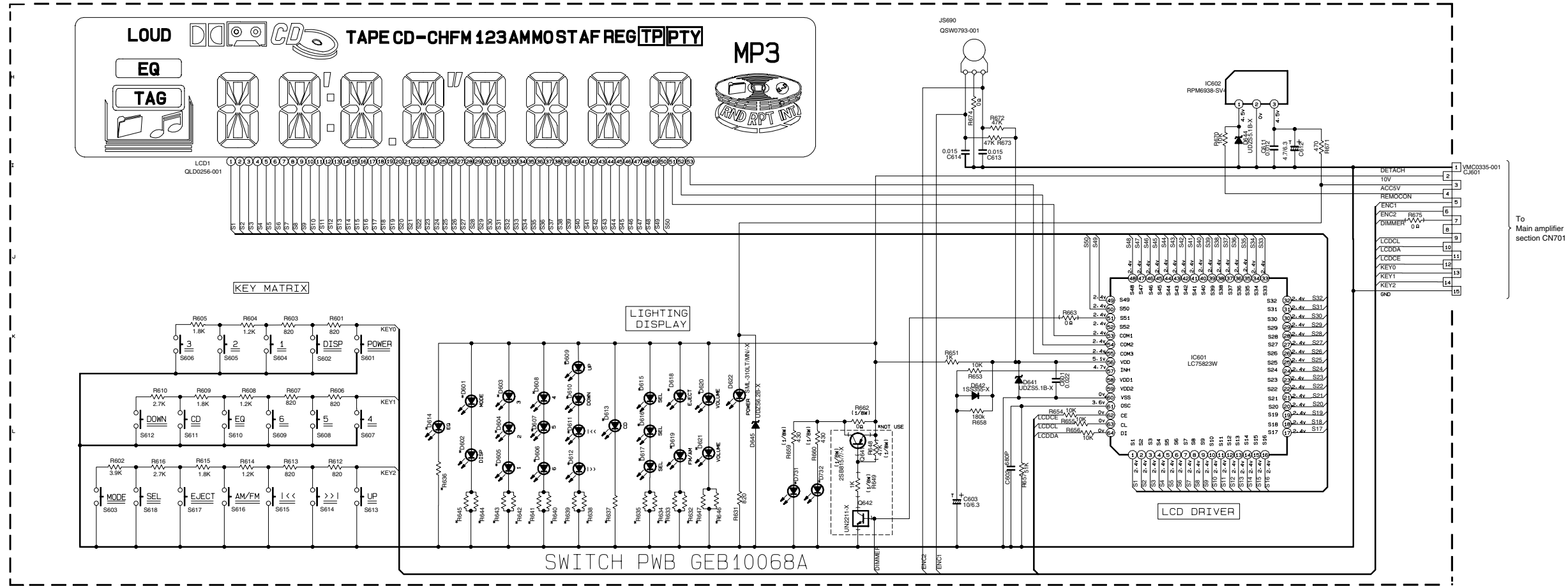
5

4

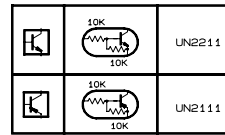
3

2

1



FRONT CIRCUIT BOARD SECTION



\*REMARKS

REF. NAME	MODEL	KD-S890J	KD-S895U
D731-D732	WHITE NSPW310BS/BRS/	WHITE NSPW310BS/BRS/	
D601-D621	SML-310VT/JK/-X	LNJ308681/1-3/X	
R632-R633		1.2k	820
R634-R635		1k	510
R636-R637		820	820
R638-R639		390	330
R640-R641		680	510
R642-R643		680	510
R644-R645		1k	820
R646-R647		1k	820

NOTES

- VOLTAGES ARE DC-MEASURED WITH A DIGITAL VOLT METER WITHOUT INPUT SIGNAL.
- UNLESS OTHERWISE SPECIFIED, ALL RESISTOR ARE 1/16W ±5% METAL GLAZE RESISTOR. ALL CAPACITORS ARE 50V OR 25V CERAMIC CAPACITOR. ALL RESISTANCE VALUES ARE IN Ω-M. ALL CAPACITANCE VALUES ARE IN μF (P=pF). ALL E-CAPACITORS ARE SHOWN IN THE FORM OF CAPACITANCE(μF)/RATED VOLTAGE(V). T --- TANTALUM CAPACITOR

# Printed circuit boards

## ■ Main board

5

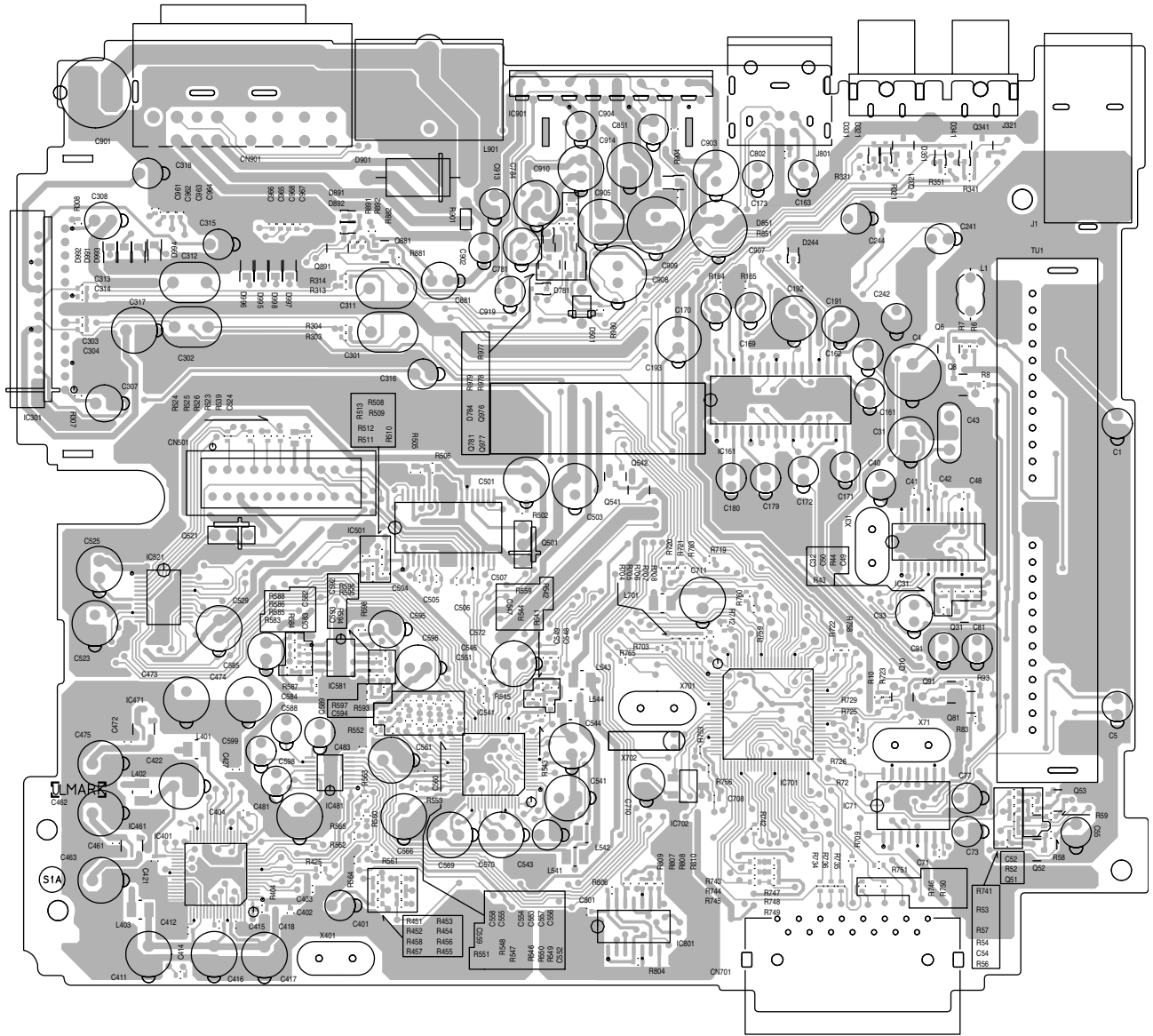
4

3

2

1

Forward side



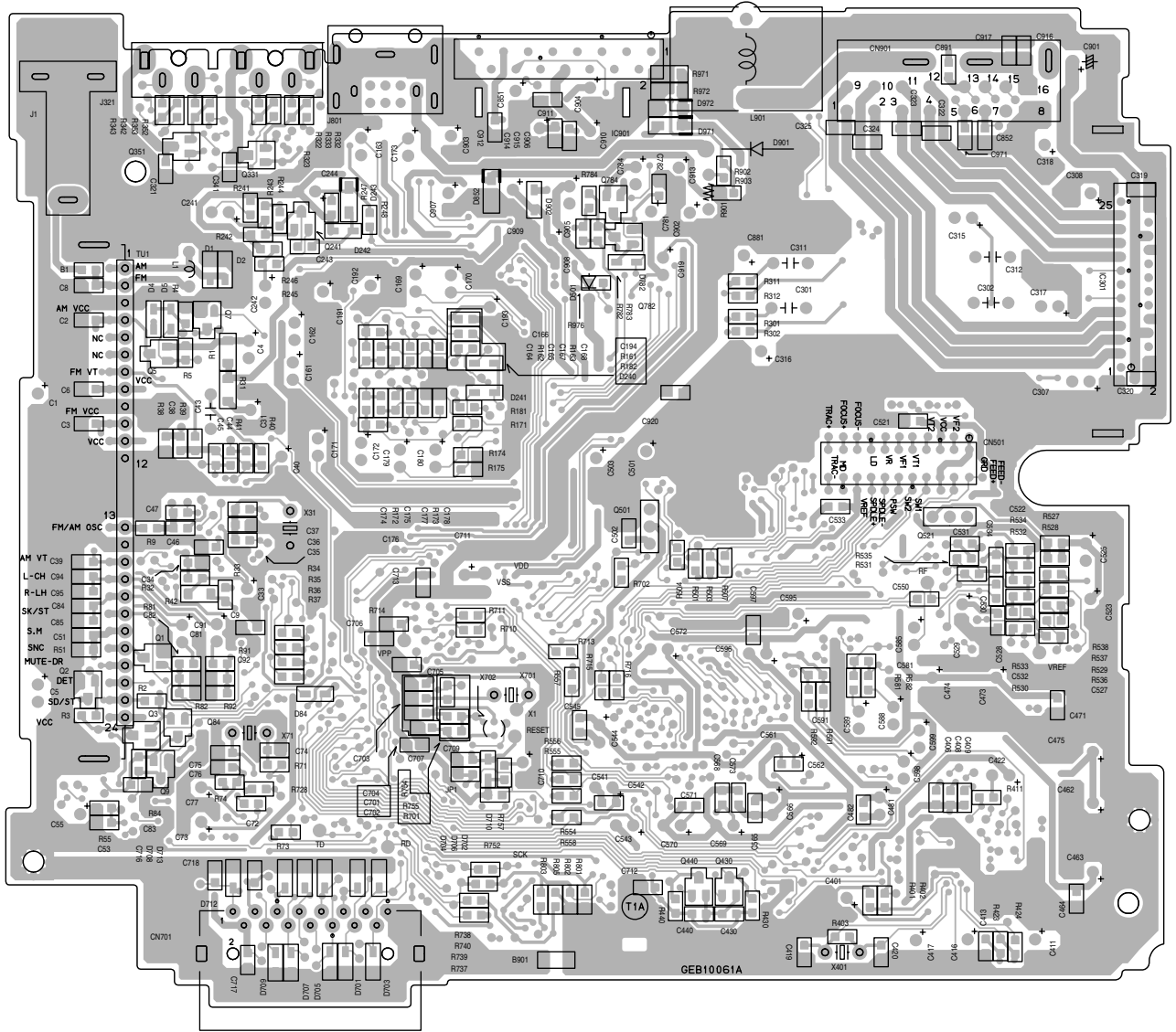
A

B

C

■ Main board

Reverse side







KD-S895

**JVC**

VICTOR COMPANY OF JAPAN, LIMITED

AV & MULTIMEDIA COMPANY 10-1, 1Chome, Ohwatari-machi, Maebashi-city, 371-8543, Japan

(No.49798SCH)



Printed in Japan  
2003/03